



Armament Mounts and Ammunition Handling for H-60 Series Aircraft

External Gun Mount System





U.S. Air Force EGMS, M2

AT A GLANCE

- Advanced, patented technology
- Fielded in combat since 2003
- Modular design allows freedom of choice
- Investment protection with easy migration

Built to meet the most stringent of U.S. military requirements, CFD International's **External Gun Mount System (EGMS)** is a revolution in mounting capability for your helicopter fleet. Originally developed for the H-60 Series aircraft, this patented, combat-proven system is available in several configurations for greater versatility.

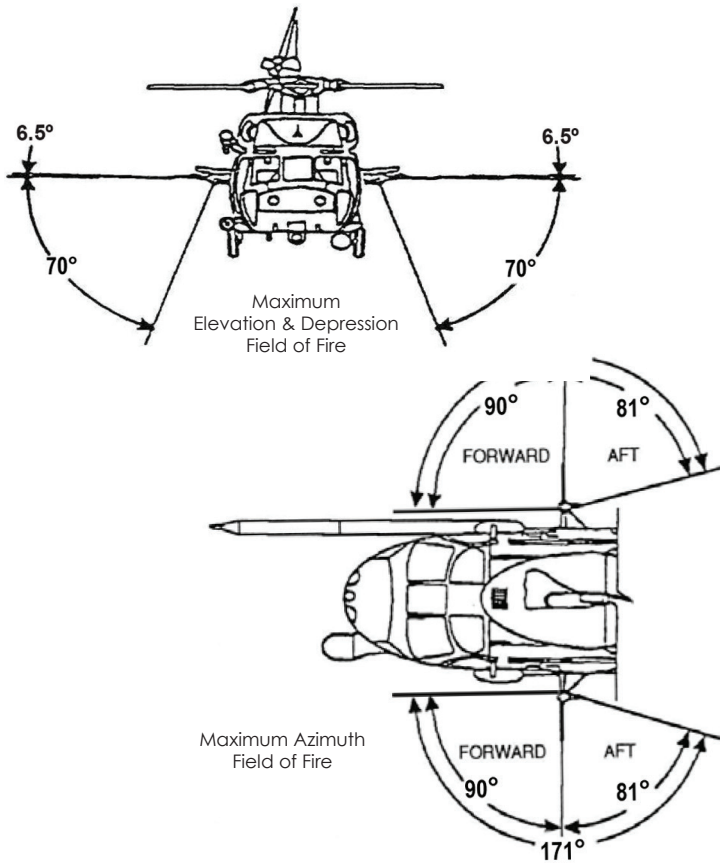
CFD's innovative design is intended to deliver maximum flexibility. Modularity of the **EGMS** solutions allows for a variety of configurations to fit a multitude of requirements for both today's needs and growth in the future. It is designed for low dispersion for highly accurate fire capabilities.

The main component of **EGMS**, the tactical tow plate - installed outside the body of the aircraft - allows the ability to mount both ammunition magazines and armament external to the cabin. This design provides added safety in the event of a mishap, while at the same time freeing up critical internal cabin space. This positioning allows the crew chief/gunner windows to be closed in inclement conditions.

EGMS supports rapid, armament configuration changes from .50 cal to 7.62 mm and back again - giving the mission commander maximum flexibility. Though designed to be primarily crew-served, EGMS can also function fixed-forward for pilot control. Utilization of .50 cal weapons on an EGMS mount provides for a greatly increased weapons engagement zone (WEZ), thereby eliminating the WEZ gap while simultaneously increasing lethal reach well beyond 1,500 meters (up to 3x mini gun range) providing a defensive capability against light armored vehicles, weapons emplacements and structures. Used in conjunction with CFD's 1,100 rpm high-reliability M3 .50 cal rapid-fire machine gun, you gain superior defensive capability with a high rate of fire.



U.S. Army EGMS with High Capacity Feed System, M240



The **Sponson Sensor Mount (SSM)** upgrade attaches to the tow plate of any EGMS with or without weapons providing a stable platform for forward-looking infrared sensor installations. The SSM can be installed and removed rapidly and easily in the field and is less expensive than other mounting solutions.

Simple integration with EGMS means avoiding costly structural modifications to the airframe. Crucial field of regard is maintained and hard landing survivability is improved in comparison with nose mount installations.



U.S. Army EGMS with Sponson Sensor Mount, FLIR

The **External Store System (ESS)** upgrade is a key component that advances capabilities even further with the introduction of a secondary fixed forward, bore-sighted, jettison weapons store station for missiles, rockets and guns.



EGMS with External Store Station, M3 and Rocket Pod

The **High Capacity Feed System (HCFS)** upgrade for M240 integrates a 2,000 round ammunition magazine - a significant improvement over other systems that hold only 200 rounds - along with a high reliability boosterless feed system. Installation requires no permanent modifications to the aircraft.

ABOUT CFD

With over 30 years of experience, and holding more than 37 patents, CFD International specializes in the design and manufacture of the finest weapons/sensor mounting solutions, ammunition handling and fire control systems available today. We are the world leader in providing a turn-key, integrated solution customized to your specific needs and requirements.

External Gun Mount System Specifications

<p>Features:</p>	<ul style="list-style-type: none"> • Designed for high accuracy/ low dispersion fire capability • Entire system (gun/mount/ammunition) is external - saving critical internal space • Maximum 0 to 171 azimuth • Maximum +6.5 elevation to -70 depression • Increased Weapons Engagement Zone (WEZ) using .50 cal effective range • Electronic actuated weapon operation with booster assisted ammunition feed • Picatinny rails & grip switches on cradle allow for variety of sighting systems • Fixed-forward firing control from cockpit • Full crew window operation is retained
<p>Magazine Capacity:</p>	<ul style="list-style-type: none"> • Up to 2,700 rounds of 7.62 mm or 600 rounds of .50 cal ammunition
<p>Modular Mission Kits Upgrades and Options:</p>	<ul style="list-style-type: none"> • M2/M3 .50 caliber Crew Serve Mission Kit • M134 7.62 mm Crew Serve Mission Kit • M240 7.62 mm Crew Serve Mission Kit • Sponson Sensor Mount Mission Kit • External Store Station Mission Kit • Fixed Forward Fire Option • Flare/Chaff Mount Option • Brass/Links Collection Option
<p>Equipment Supported:</p>	<ul style="list-style-type: none"> • 7.62 mm - M134, GAU-2, M240 • .50 cal. - M2, M3, GAU-19 • 30 mm - CFD LR-30 • 2.75 inch - M260 • Laser Guided Ordnance - Hellfire, DAGR, other LGR • Chaff/Flare - ALE 47 • Sensors - FSI Star SAFIRE, BRIGHT Star and Talon; WESCAM MX-15 and MX15i; Raytheon MTS-A, Synthetic Aperture Radar, Spotlights

For more information on EGMS and to discover other CFD products and services visit us on our website at www.cfdintl.com

Or see us on You Tube: www.youtube.com/user/CFDIntl

© Contract Fabrication & Design, LLC 3/15
All trademarks are property of their respective owners.

